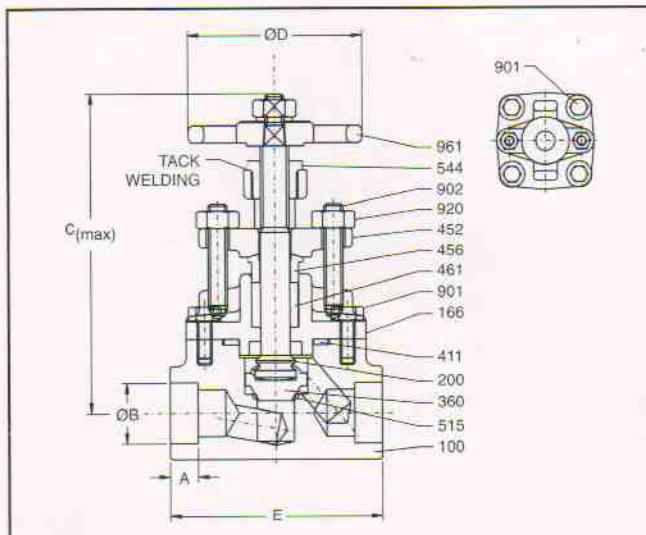


800 GLOBE VALVE
A. DESIGN / TEST SPECIFICATIONS

TEST (API 598)	(kg/cm ²)	(PSI)	TESTING MEDIUM
SHELL	210	2963	KEROSENE/WATER
BACK SEAT	153	2173	
SEAT LEAK	153	2173	
DESIGN SPECIFICATIONS			
GENERAL VALVE DESIGN			BS 5352
PR. TEMP. RATING			ASME B16.34
SOCKET WELD END DIMN			ASME B16.11
END TO END AS PER MANUFACTURER'S STANDARD			

B. MATERIAL

PART NO.	PART NAME	MATERIALS AS PER ASTM	
100	BODY	A 105	A 182-F316L
166	BONNET	A 105	A 182-F316L
200	STEM	A 479-410-2	A 276-316L
360	DISC	A 276-410 (H)	A 351-CF3M
411	GASKET	SS + GRPH	SS+GRPH
452	GLAND FLANGE	A 105	A 182-F316L
456	GLAND BUSH	A 276-410	A 276-316L
461	GLAND PACKING	GRAPHITE	GRAPHITE
515	SEAT	ST6 (INTEGRAL)	A 276-316L
544	STEM NUT	A 582-416	A 582-416
901	HEX BOLT	A 193-B7	A 193-B8M
902	STUD	A 193-B6	A 193-B8M
920	HEX NUT	A 194-2H	A 194-B8
961	HAND WHEEL	A 216 WCB	


C. DIMENSIONS

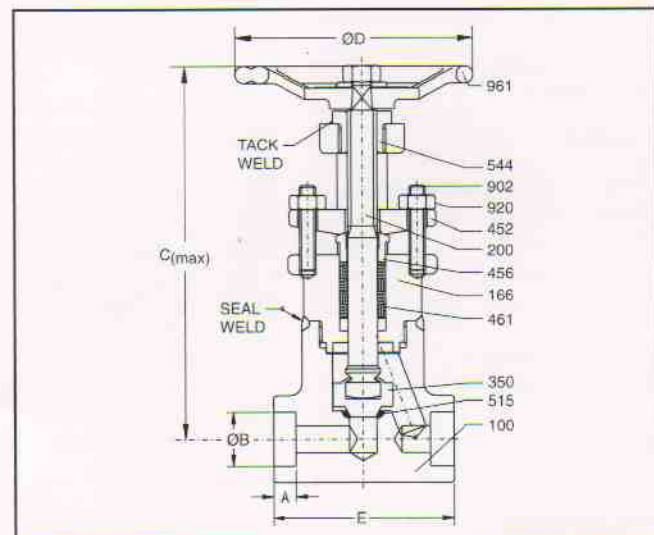
SIZE		E		ØB		C(max)		ØD		A	
INCH	MM	INCH	MM	INCH	MM	INCH	MM	INCH	MM	INCH	MM
1/2	15	2.9	73	0.9	21.8	4.7	118	3.0	75	0.4	9.5
3/4	20	3.2	82	1.1	27.2	5.2	133	3.0	75	0.5	12.7
1	25	4.3	108	1.3	33.9	5.8	148	4.7	120	0.5	12.7
1½	40	6.0	152	1.9	48.8	8.0	202	5.7	144	0.5	12.7
2	50	5.8	148	2.4	61.2	10.4	265	5.7	144	0.6	16.0

1500 GLOBE VALVE
A. DESIGN / TEST SPECIFICATIONS

TEST (API 598)	(kg/cm ²)	(PSI)	TESTING MEDIUM
SHELL	396	5625	KEROSENE/WATER
BACK SEAT	291	4125	
SEAT LEAK	291	4125	
DESIGN SPECIFICATIONS			
GENERAL VALVE DESIGN			BS 5352
PR. TEMP. RATING			ASME B16.34
SOCKET WELD END DIMN			ASME B16.11
END TO END AS PER MANUFACTURER'S STANDARD			

B. MATERIAL

PART NO.	PART NAME	MATERIALS AS PER ASTM	
100	BODY	A 105	A 182 F22
166	BONNET	A 105	A 182 F22
200	STEM	A 479-410-2	A 479-410-2
350	DISC	A 276-410 (H)	SS 304+ST6
452	GLAND FLANGE	A 105	A 105
456	GLAND BUSH	A 276-410	A 276-410
461	GLAND PACKING	GRAPHITE	GRAPHITE
515	SEAT	ST6 (INTEGRAL)	ST6 (INTEGRAL)
544	STEM NUT	A 582-416	A 582-416
902	STUD	A 193-B8M Cl.2	A 193-B8M Cl.2
920	HEX NUT	A 194-2H	A 194-2H
961	HAND WHEEL	IS 2108-BM 340 / SG IRON	


C. DIMENSIONS

SIZE		E		ØB		C(max)		ØD		A	
INCH	MM	INCH	MM	INCH	MM	INCH	MM	INCH	MM	INCH	MM
1/2	15	2.9	73	0.9	21.8	6.7	171	5.0	127	0.4	9.5
3/4	20	3.7	94	1.1	27.2	8.7	220	7.3	185	0.5	12.5
1	25	4.8	122	1.3	33.9	9.3	236	7.3	185	0.5	12.5
1½	40	6.3	160	1.9	48.8	11.6	295	8.0	203	0.5	12.5
2	50	7.0	178	2.4	61.2	12.2	310	8.0	203	0.6	16.0